



# SevenStar Electronics

## What is the AIS Identifier?

The Identifier is the world's lowest cost, secure, AIS vessel tracking solution. Specially developed VHF and GPS antennas are fully integrated within its ruggedized IPx7 case, enabling simple installation and use as well as optimizing performance. Intelligent AIS transceiver technology ensures full compliance with AIS CS and SO network protocols.

The Identifier has an integral rechargeable battery which allows continuous operation for more than 120 hours between charges.

Multiple passive and active features ensure the operational security and integrity of the Identifier at all times.

## Key Features:

- Lowest cost AIS transponder
- Optimum performance
- Low power consumption
- Simple to use - no cabling reqd
- Compatible with SO and CS AIS
- Rechargeable internal battery
- Internal antennae
- Integrated GPS receiver
- Emergency alert button
- Only 250g weight
- IEC 60945 'exposed' category
- -15 to +55 degC operating

## APPLICATIONS of AIS include:

- Collision avoidance
- Awareness of environment
- AIS Aids to Navigation (AtoN's)
- Port, harbour and marina management
- Coastal assistance systems
- Charter vessel monitoring
- Vessel & Homeland security
- Asset monitoring & management
- Anti-piracy, anti-smuggling



SevenStar also manufactures AIS Transponders in a variety of form factors specific to the requirements of the offshore and marine industry, as well as standard Class B AIS Transponders. We also manufacture market-leading radar and AIS SARTs, as well as AIS receivers and other accessories.

## Product specifications

### Physical

- Dimensions: 350mm x 63mm max. (H x D)
- Weight: 250g (Identifier unit only)
- Mounting bracket min / max pole diameter: 25mm to 55mm

### Power

- Built in 2100mAh Lithium-Ion battery pack
- Up to 5 days operating time (depending on configured reporting rate)
- Charge time: 5 hours
- Charging dock supplied with universal input AC adapter

### GPS receiver (AIS internal)

- IEC 61108-1 Ed. 2.0 compliant 50 channel receiver
- WAAS / EGNOS enabled for improved position accuracy

### User interface

- Status LED
- SOS button with configurable messaging

### Data interfaces

- Single TTL level serial interface for configuration
- Batch configuration can be performed at manufacture on request

### Connectors

- Charge and configuration contacts are built into the base of the Identifier

### VHF transceiver

- Transmitter x 1
- Receiver x 1
- Frequency: 156.025 to 162.025 MHz in 25KHz steps
- Output power: 1W EIRP
- Channel bandwidth: 25KHz
- Channel step: 25KHz
- Modulation modes: 25KHz GMSK (AIS, transmit only)
- Bit rate: 9600 b/s (GMSK) and 1200 b/s (FSK)
- Receiver sensitivity: < -107dBm (carrier sense only)

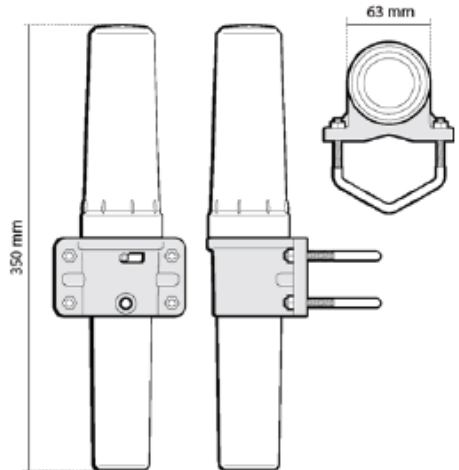
### Environmental

- IEC 60945 'Exposed' category
- Waterproof to IPx6 and IPx7
- Operating temperature: -15oC to +55oC

Authorised representative:

[sales@sevenstarelectronics.com](mailto:sales@sevenstarelectronics.com)

## Dimensions



Bulkhead or pole mount



Additional alerting function

- Optimised, efficient internal antennas ensure maximum ship to ship and ship to shore range.
- Can be configured to use alternative radio channels if required
- Simple robust mountings are provided to make installation very quick and trouble-free.
- For many applications no cabling is required - just charge the unit on shore.
- Robust waterproof casing suitable for many marine asset tracking jobs
- A pre-programmed message can be sent by pressing the alert button.

## SevenStar Electronics Ltd

8 Bowman Court, Whitehill Lane  
Royal Wootton Bassett, Wiltshire  
SN4 7DB United Kingdom

[www.sevenstarelectronics.com](http://www.sevenstarelectronics.com)

[sales@SevenStarElectronics.com](mailto:sales@SevenStarElectronics.com)

Phone: +44 (0)1793 855036

SevenStar Electronics Ltd. is approved to BS EN ISO 9001:2008 and to EU MED 'Wheelmark' Schedules B and D, and is a member of RTCM.